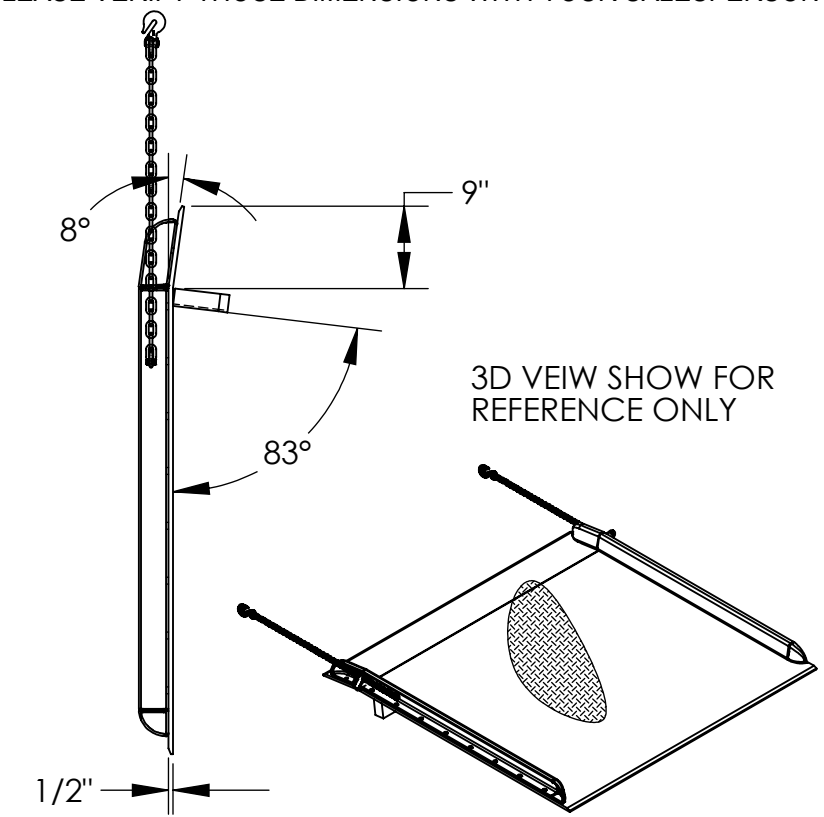
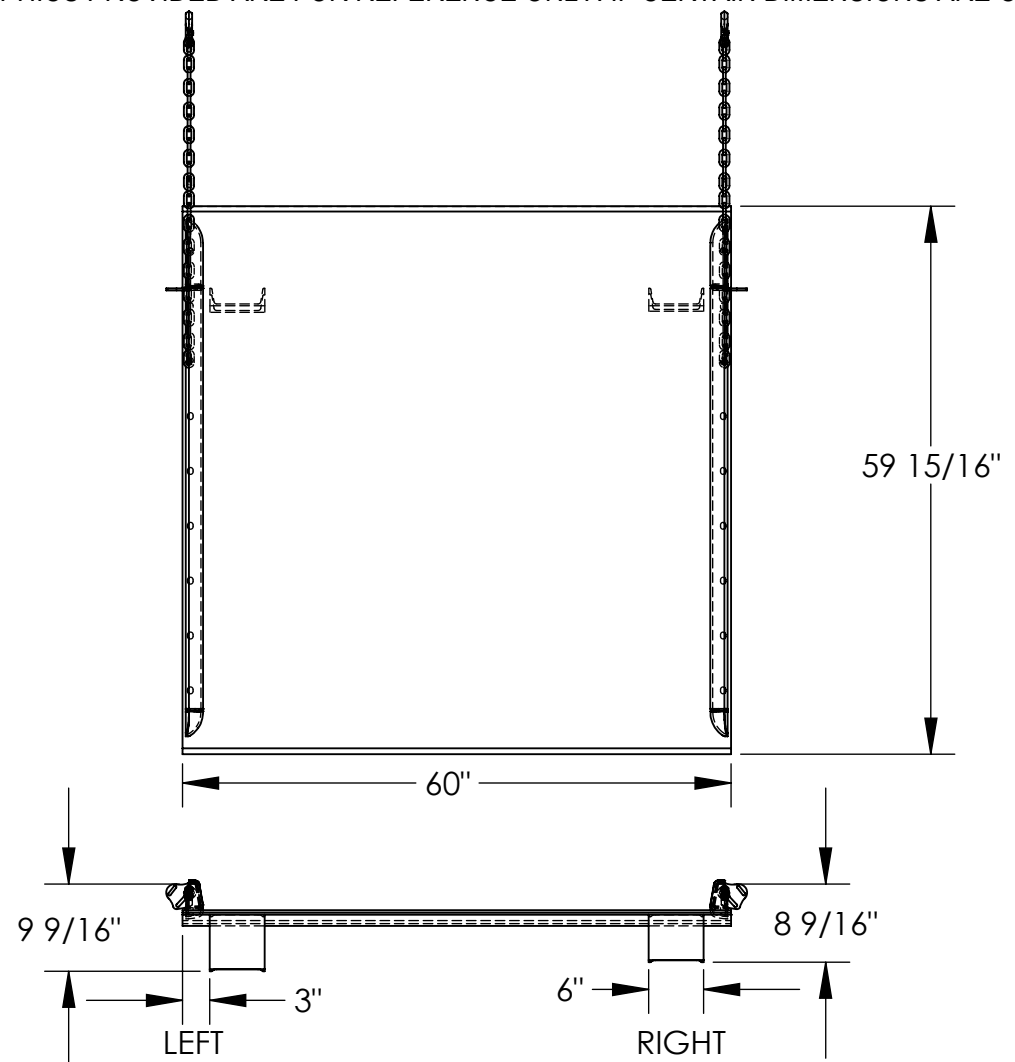


STEEL CONTAINER RAMP - CRS-6060-20

APPROX WEIGHT: 566.27 lbs.
 DOES NOT INCLUDE WEIGHT OF POWER OR PACKAGING!!!

*** ANY ADDITIONS, DELETIONS, OR OMISSIONS MUST BE CORRECTED ON THIS DRAWING AS THIS DRAWING WILL BE CONSIDERED ALL INCLUSIVE ***

ALL GRAPHICS PROVIDED ARE FOR REFERENCE ONLY. IF CERTAIN DIMENSIONS ARE CRITICAL PLEASE VERIFY THOSE DIMENSIONS WITH YOUR SALESPERSON



STANDARD FEATURES

- MODEL NUMBER: CRS-6060-20
- CAPACITY: 20,000 LBS
- OVERALL WIDTH: 60"
- OVERALL LENGTH: 59 15/16"
- DOCKPLATE THICKNESS: 1/2"
- RIGHT LEG LENGTH IS 5"
- LEFT LEG LENGTH IS 6"
- CROWN IS 8° & 9" FROM EDGE
- HEIGHT DIFFERENCE: 7 5/16"
- DURABLE LIQUID PAINT BROWN FINISH

SPECIAL FEATURES

NONE

DIMENSION TOLERANCE ± 1/4"

APPROVAL

I, THE UNDERSIGNED, AGREE THAT THE PRODUCT AS REPRESENTED SATISFIES DESIGN AND DIMENSION REQUIREMENTS. I ALSO ACKNOWLEDGE MY DUTY TO CONFIRM PRODUCT AND INSTALLATION COMPLIANCE WITH ALL APPLICABLE FEDERAL, STATE AND LOCAL REGULATIONS AND STANDARDS.

ANY MODIFIED UNITS ARE NON-RETURNABLE

[] As drawn [] As marked

Signed: _____ Date: _____

Printed Name: _____

LEAD TIME WILL START UPON RECEIPT OF SIGNED APPROVAL DRAWING

FOR INTERNAL USE ONLY PROJECT SIGN OFF	
SALES	
ENG.	
FAB.	
POWER	

DISTRIBUTOR'S NAME:		P.O.#
VESTIL MANUFACTURING		X
W.O.#		X
DRAWN BY:	C.CLEMENS	DATE: 8/28/18
SALES:	X	FILE NAME:
REFERENCE:	X	SCALE: 1:21
QUOTED LEAD TIME:	X	QUOTE #
		X
		10-007-161